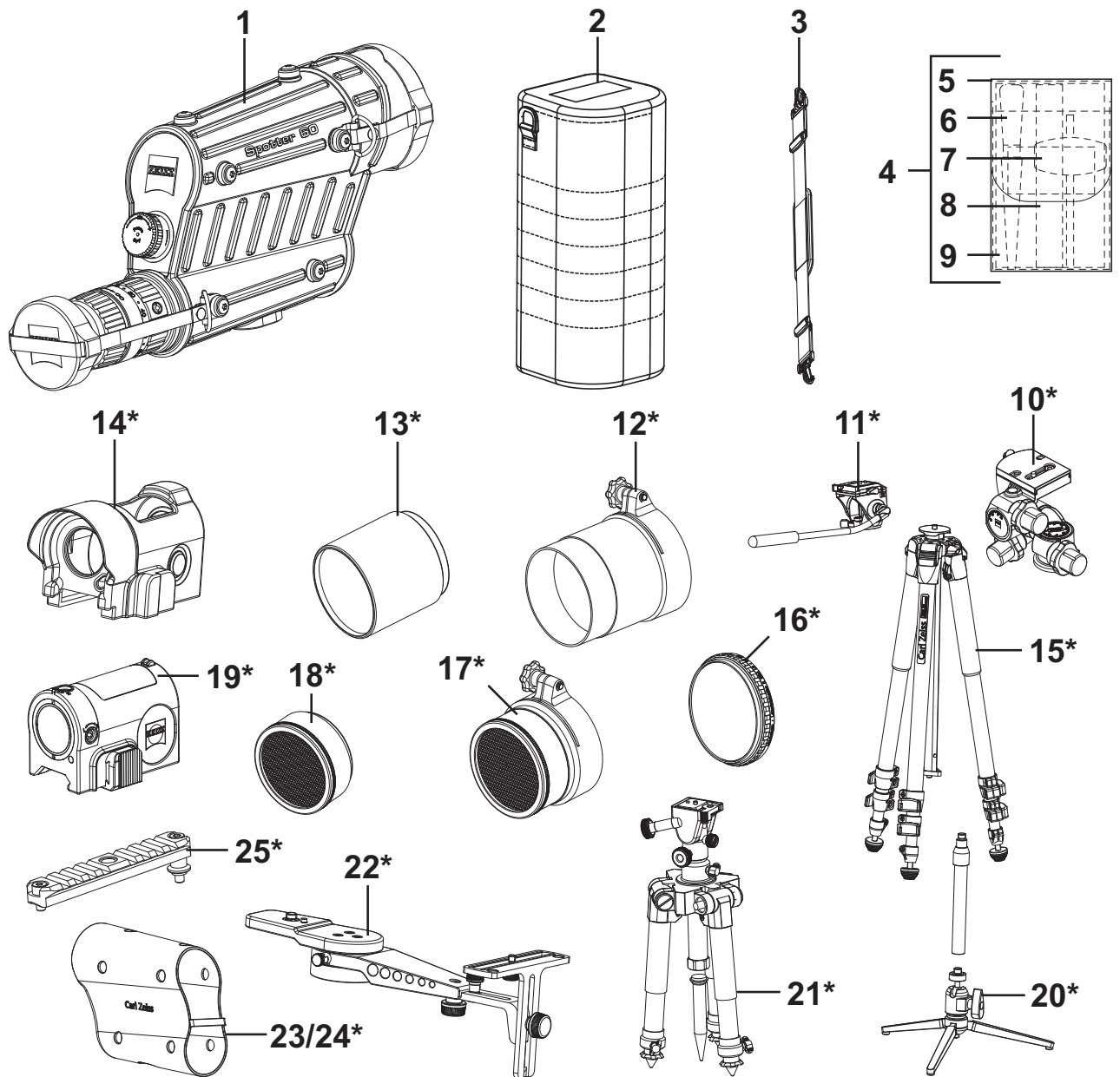


Scope of Supply

The Spotter 60 will be delivered to the corresponding customers in a commercially available carton. The parts stored in the tool kit bag are not pictured.



*Accessories are only supplied as an option.

Illustration 6 Scope of Supply

Item	Qty.	Designation	Part Number
1	1	Spotter 60	331060-9001.000
2	1	Carrying Bag	331060-9011.000
3	1	Carrying Strap	331060-9012.000
4	1	Tool Kit with contents	331060-9010.000
5	1	Tool Kit TT CIG BAG	000000-0479.887
6	1	Dust Brush	000000-0150.354
7	1	Screwdriver, TORX 25	331060-1010-000
8	1	Optics Cleaning Cloth	000000-0150.697
9	1	Micro-Fibre Cleaning Cloth	Z-1051
10	1	Tripod Head 200*	331060-9035-000
11	1	Tripod Head 100*	331060-9034-000
12	1	Backlight Tube, clampable*	330296-9027.000
13	1	Backlight Tube, screwable, complete*	330296-9024.000
14	1	Rubber Armouring RSA-S*	334106-2200-000
15	1	Tripod 170*	331060-9032-000
16	1	Laser Protection Filter, complete*	331060-9007-000
17	1	Baffle, clampable*	330296-9028-000
18	1	Baffle, screwable, complete*	330296-9032-000
19	1	RSA-S	334106-9907-000
20	1	Table Tripod*	331060-9033-000
21	1	Tripod, mod*	331060-9031-000
22	1	Digi-Adapter*	331060-9016-000
23	1	Cover, Coyote Brown*	331060-0040-000
24	1	Cover, Olive Drab*	331060-0041-000
25	5	MIL-Standard-Rails*	331060-9015-000
**	1	Reduction Bushing*	331060-0300-000
**	1	Round Cell 3 V BR 2032	commercially available
**	1	Round Cell 3 V CR 2032	000000-0180.502
**	1	Operating Instructions	BeAn 330160-0000.000

*Accessories are only supplied as an option.

** not shown